

## R3 Series

Recycling solution



PRODUCTS &  
SOLUTIONS



# Recycling solution

Bonfiglioli conceives, designs and produces custom solutions for collection, downsizing and sorting of waste materials. Recycling is a key component of waste management in order to reduce pollution and landfill waste.

A complete range of innovative products for Mobile and Industrial Primary shredding solution.

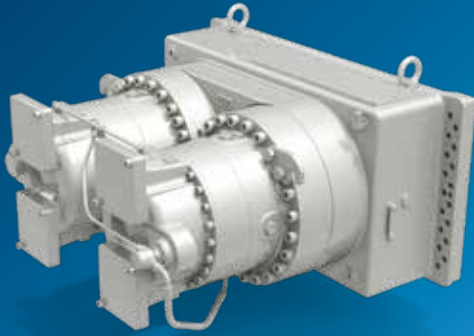
Our wide range of planetary gearboxes are manufactured in a production process which is firmly focused on the specific need of our customers.

These solutions are developed with the highest levels of customization, which requires, right from the initial design phases, in-depth interaction between the customer and Bonfiglioli team, to ensure that all of the required specifications and variants are known, for a product which perfectly meets expectations.

This is why our pre-sales and after-sales teams, spread strategically over all continents, play such a crucial role, and why ensuring complete support is at the heart of our global success.



# Recycling solution



## R3 Series

The R3 Series is compact and powerful. Their planetary gear train makes them the ideal choice for all severe duty applications where shock loads and impacts are more the rule than the exception. The product configuration is highly flexible, due to several options for mounting, gear layout, output shaft and motor interface. According to the torque need and customer machine layout, R3 Series can be equipped with 1, 2 or 4 hydraulic motor adapter; electric motor adapter is ether available upon request.

### Gear ratios

- from 56 to 117

### Output

- Shamrock solid output
- Output shaft: splined



### Input

- Input adapters suitable for Axial piston hydraulic motor
- Electric motor adapter (IEC, NEMA or customized)

### Applicable motors

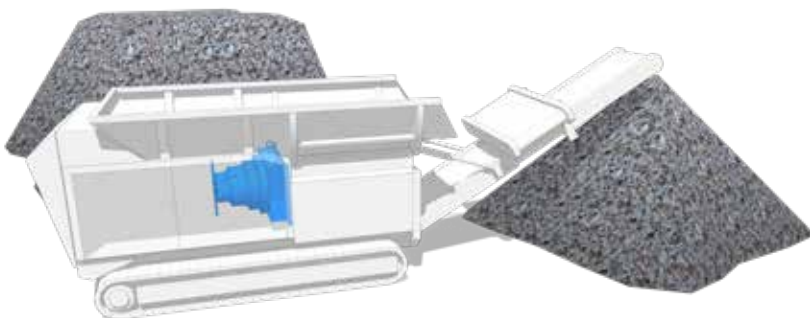
- Piston hydraulic motors
- Electric motors

### Option

- Synchro gears
- Plug in output flange, or shamrock shaped pinion up to C5 surface protection (ISO)

### Maximum torque (Nm)

R3 16	129,000
R3 17	180,000
R3 18	250,000
R3 19	370,000



R3 Series installation on machines

# Research & Development



Our Research and Development department provides its decades of experience to evaluate and design customized interfaces, as well as input and output shaft. It is also able to support our customer in integrating the drive into your application as well as during its field validation.

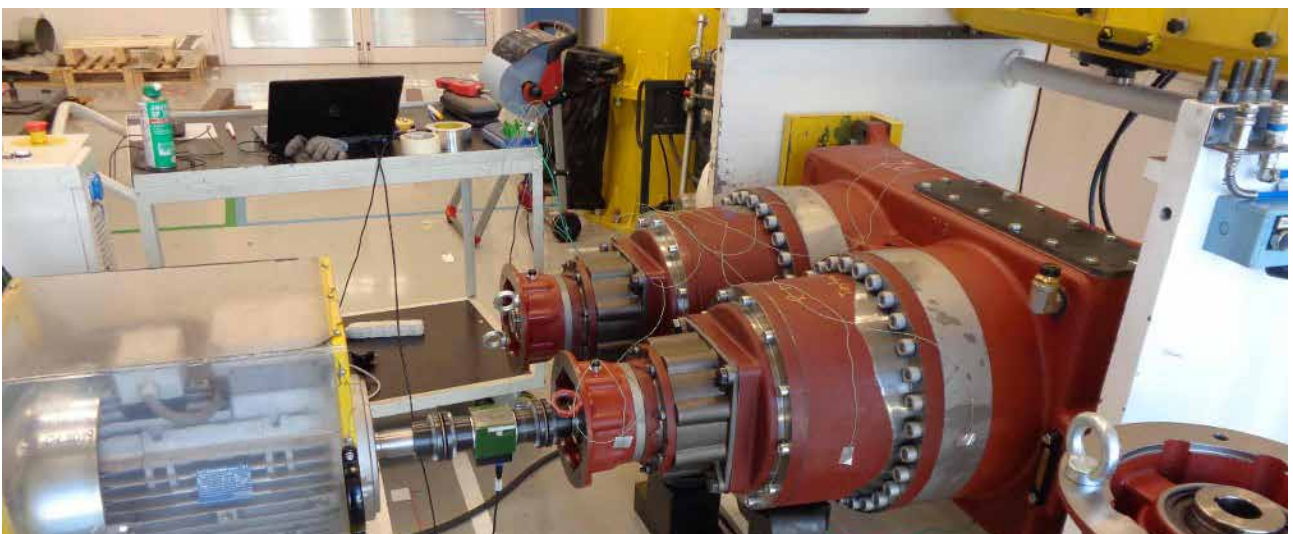


DESIGN YOUR SOLUTIONS

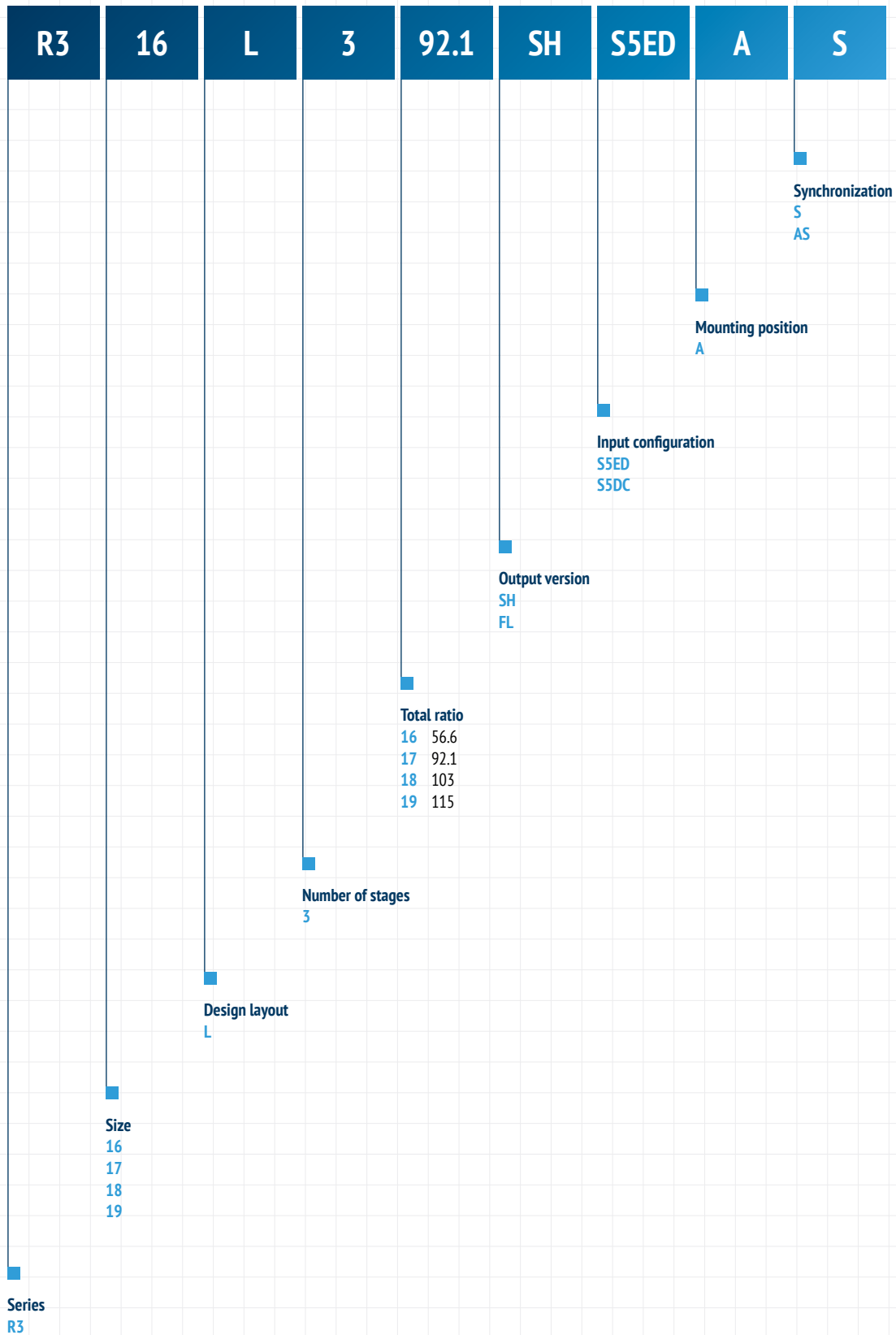


CO-ENGINEERING

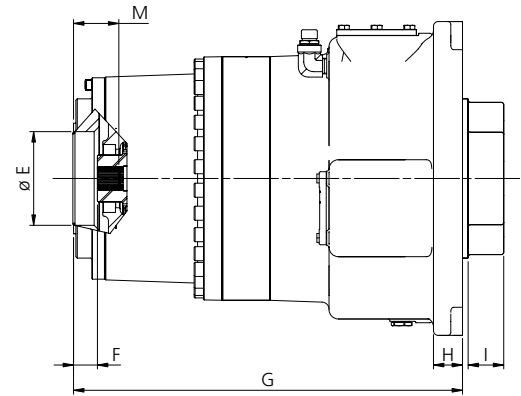
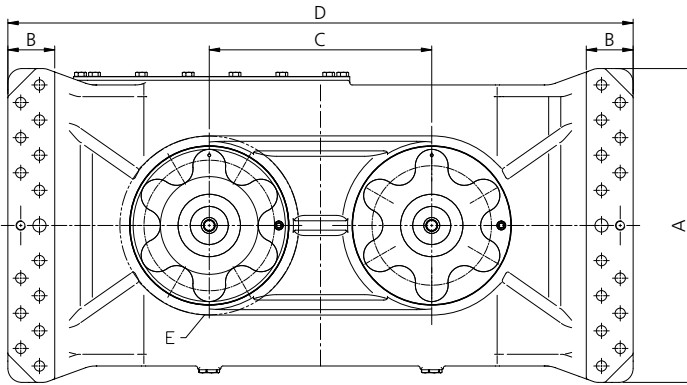
For Bonfiglioli quality assurance and product reliability are at first place; for this reason each gearbox R3 EVOX before shipment is inspected and run into functional test on suitable test bench.



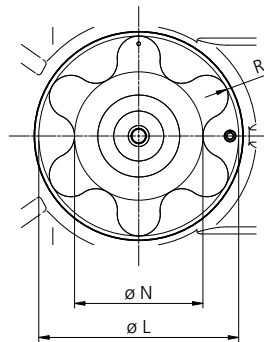
# Designation



# Dimensions



Output spline shaft option is available, please contact Bonfiglioli technical Service for more details.



Hydraulic Motor Input	A	B	C	D	E	F	G	H	I	L	M	N	R	Oil Quantity [l]	Dry total weight [kg]
<b>Size 316</b>															
A6VM 160 BOSCH REXROTH	670	90	475	1335	180	40,7-41,5	780	57	76	325	-	208,7	35	50	1650
A6VM 215 BOSCH REXROTH	670	100	475	1335	200	51	793,5	57	76	325	96,7-97,4	208,7	35	50	1700
51V250 SAUER DANFOSS	670	100	475	1335	165	9,5	860,5	62	76	325	-	208,7	35	56	1758
H1B160 SAUER DANFOSS	670	90	475	1335	152,4	20,5	780	57	76	325	75,8-76,6	208,7	35	58	1570
<b>Size 317</b>															
A6VM 215 BOSCH REXROTH	800	100	650	1620	200	50	1024	83,5	80	469,5	96	319,5	44	121,5	4045
<b>Size 318</b>															
H1B250 SAUER DANFOSS	800	100	650	1620	165,1	20,1	1339	83,5	80	469,7	76	319,7	44	122	4752
A6VM 215 BOSCH REXROTH	780	105	650	1600	200	42,5	1024,5	83,5	80	469,7	96,5	319,7	44	57,5	3380
<b>Size 319</b>															
H1B250 SAUER DANFOSS	1040	175	900	2100	165,1	20,1	1622	92	115	560	76	390	40	53	9010

Other Hydraulic motor prearrangement are possible, please contact Bonfiglioli technical service feasibility check.

All dimensions to be considered indicative of generic configuration, they may change according to specific customer requirement.



We have a relentless commitment to excellence, innovation & sustainability. Our team creates, distributes and services world-class power transmission & drive solutions to keep the world in motion.

#### **HEADQUARTERS**

**Bonfiglioli S.p.A**

Registered office: Via Bazzane, 33  
40012 Calderara di Reno - Bologna (Italy)  
Tel. +39 051 6473111

Head office: Via Isonzo, 65/67/69  
40033 Casalecchio di Reno - Bologna (Italy)

